

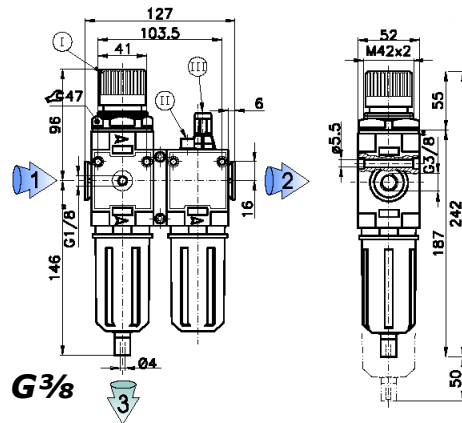
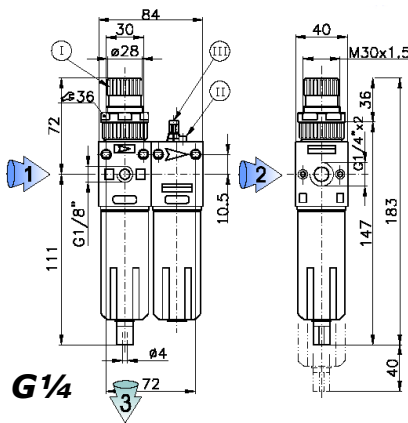
COMBINED FILTER-REGULATOR-LUBRICATOR G¹/₄ ~ G¹/₂

Compressed Air

Construction	Body—Techno-polymer Bowl—Polyamide with Guard
Drain	Automatic & Semi-Automatic
Standard Filter	20 x 10 ⁻³ mm
Regulator Type	Relieving
Ambient Temperature	+5 ~ +50 °C
Working Pressure	0 ~ 16 bar
Set Pressure Range	0 ~ 8 bar
Recommended Oil	ISO VG32 32mm ² /s 40°C ISO 3448
Mounting	Vertical



Connection	Part Number		Filter Bowl Capacity cm ³	Flow at 6 Bar NI/min	Weight kg
	Semi Auto	Auto			
G ¹ / ₄	TA000065	GTA00012	22	720	0.330
G ³ / ₈	TA000062	GTA00010	42	1800	0.405
G ¹ / ₂	TA000063	GTA00011	100	2520	0.565



Accessories

40mm Gauge 0—12 bar	TA000262
40mm Gauge 0—6 bar	TA000261
Mounting Bracket G ¹ / ₄	TA000010
Mounting Bracket G ³ / ₈ /G ¹ / ₂	TA000160

Spare Filter Elements

G ¹ / ₄	AGT00022
G ³ / ₈	AGT00032
G ¹ / ₂	AGT00029

